

CHISON

Value Beyond Imaging

SonoAir Vet by CHISON

Future Portable Ultrasound for Veterinary Practice



www.chison.com



Small Animal Cardiac



Small Animal Urology



Large Animal Tendon



Small Animal ABD



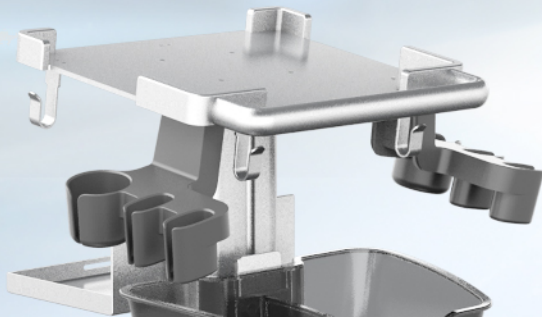
Large Animal Abdomen

[Ultra-Portable]



2.1Kg

26mm



- Ultra-portable with lightest weight: 2.1kg, easy to carry.



Ultra-Connectable

- Ultra-connectable with maximum **4** probe connectors.



Ultra-Touchable

- Ultra-touchable with triple touch methods:
14.1inch touch screen, touch panel, touch ID.

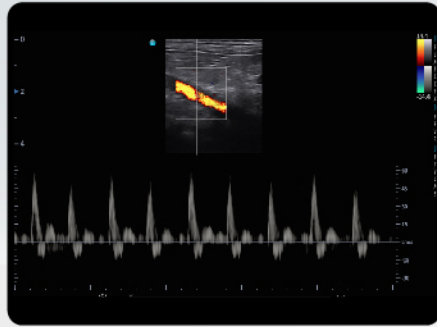


Ultra-Green

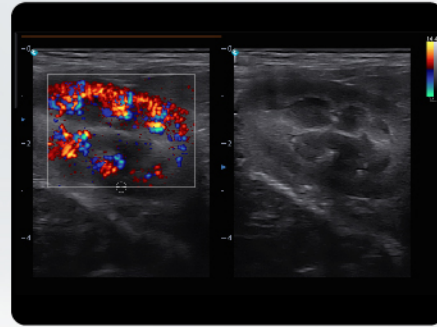
- Ultra-green with **180+**mins battery life.



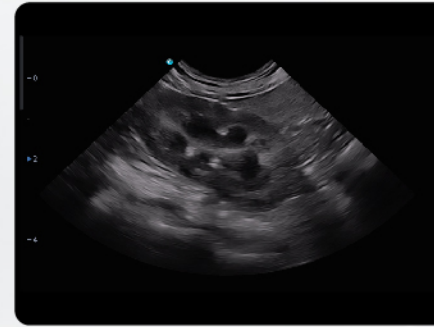
Premium
Image Quality



Canine, Artery



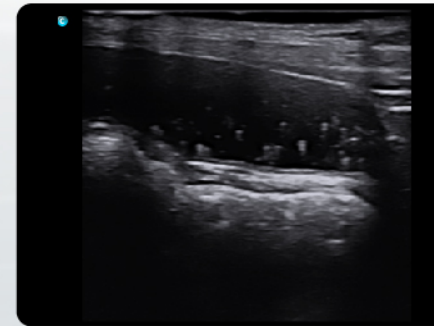
Canine, Kidney



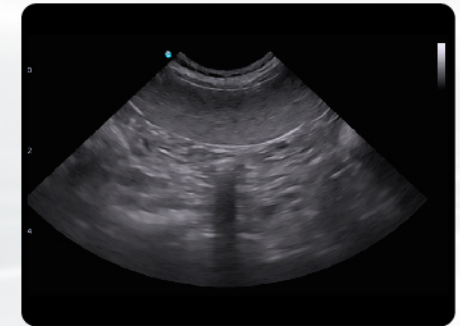
Canine, Kidney



Canine, Cardiac



Canine, Bladder



Canine, Spleen



Bag



6MC: 6.0MHz
Micro-convex



7L: 7.5MHz
Linear



3C: 3.0MHz
Convex



3S: 2.5MHz
Phased Array

CHISON Medical Technologies Co., Ltd.

Sales & Service Contact Address:

No.3, Changjiang South Road, Xinwu District, Wuxi, Jiangsu, China 214028

TEL : 0086-510-85310937

FAX : 0086-510-85310726

EMAIL : export@chison.com.cn

We reserve the right to make changes to this catalogue without prior notice. All rights reserved.
Please contact our local dealer for the latest information.